

INJC Design Worksheet

Date

Customer

Program

Production Start

Estimated Annual Usage

Part Number

Log Number

- Fuse Rating (if req'd)
- 20A
 - 25A
 - 30A
 - 40A
 - 50A
 - 60A*

Wire Gauge: both sides; 6 gauge wire standard

Insulation Type Insulation Color

*for use with Littelfuse JCASE cartridge fuses

WIRE "A"

WIRE "B"

Length (A)

Strip Length (C)

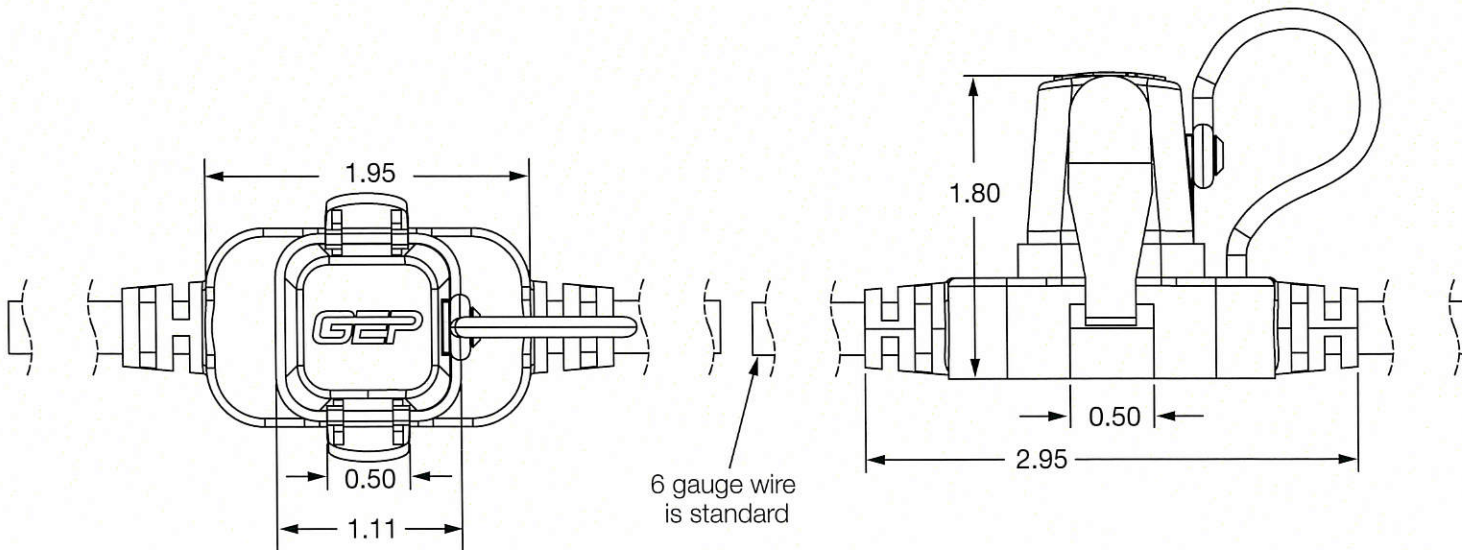
Wire Termination

Length (B)

Strip Length (D)

Wire Termination

Special Instructions



All dimensions are in millimeters and for Reference Only