

# Fuse Battery Tap Series FMFH-XXX-X

**Application:**

Space saving, easy to install fused battery tap for main branch circuit protection. Excellent alternative to bulky Mega fuse holders.

**Specifications:**

Rating: Accepts the Littelfuse Mega® fuse rated at 40A-500A

Stud torque rating: 15 Nm

Material/Temperature ratings:

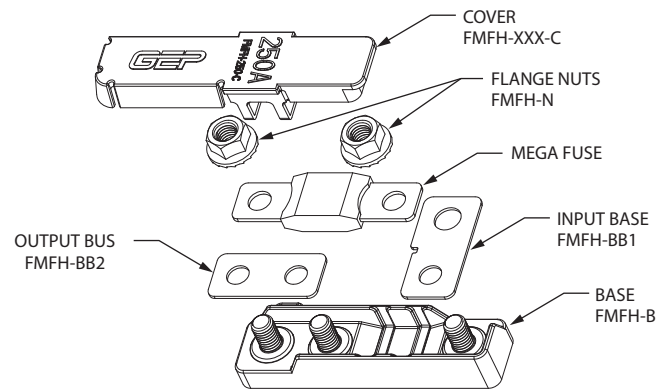
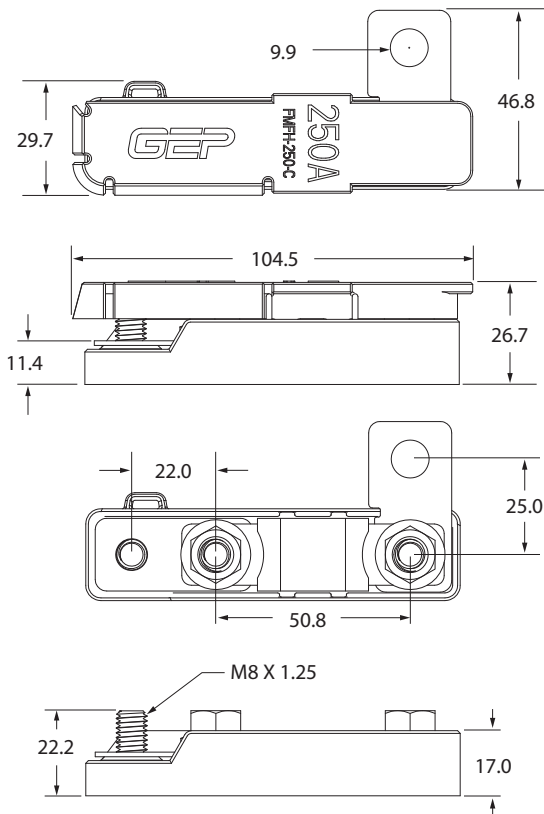
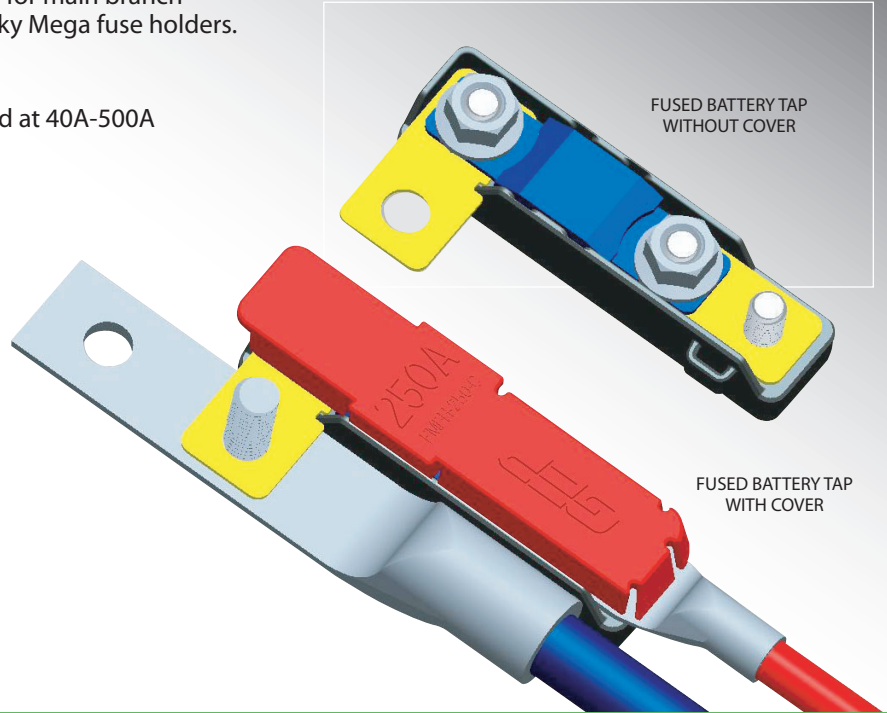
Body - Glass reinforced PPS; rated at 250°C

Cover - PVC rated at 105°C

Studs and Nuts - Stainless steel

Bus Bar - Tin plated copper

- RoHS compliant



GEP Part No.	DESCRIPTION
FMFH-XXX-A	COMPLETE ASSEMBLY-XXXX FUSE
FMFH-000-A	COMPLETE ASSEMBLY WITHOUT FUSE
FMFH-XXX-C	COVER WITH XXX/AMPERAGE MARKING
FMFH-000-C	COVER W/O AMPERAGE MARKING
FMFH-BA	BASE, INPUT BASE, OUTPUT BUS & (2) NUTS
FMFH-B	BASE
FMFH-BB1	BUS - INPUT
FMFH-BB2	BUS - OUTPUT
FMFH-N	FLANGE NUT

\* Trademark of Littelfuse Corp.